

Bionova

by Nova Vizantija

Outdoor vent less fireplace burner based on evaporated ethanol combustion technology

designed and produced according to new DIN 4734-1 standard

Model: Round Burner L - OS

Materials :

Stainless Steel (quality 1.4301) body equip
with one piece molded tank

Ceramic fibres evaporator

Fuel: Denatured Bioethanol 96% v/v

Features:

Stainless steel closing lid

Tank size - 2,95 l

Burning time - up to 6 h *

Fuel consumption - approximately 0,40 l/hour *

Thermal output - up to 3 Kw *

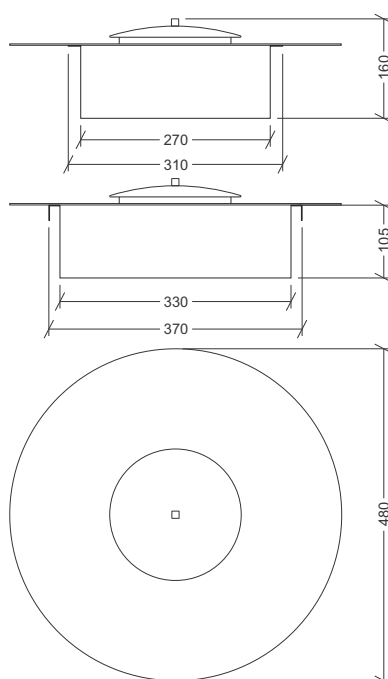
In case of indoor use required room size - 70 m³

Weight: Up to 8 kg depending on fuel level



* The efficiency data has approximate value depending on the weather conditions,
installation point and bioethanol used

Dimensions:



Nova Vizantija ▪ Svetogorska 12 ▪ Belgrade ▪ Serbia

Tel/fax +381 11 406 43 78 ▪ www.bionova.rs ▪ e-mail: info@bionova.rs